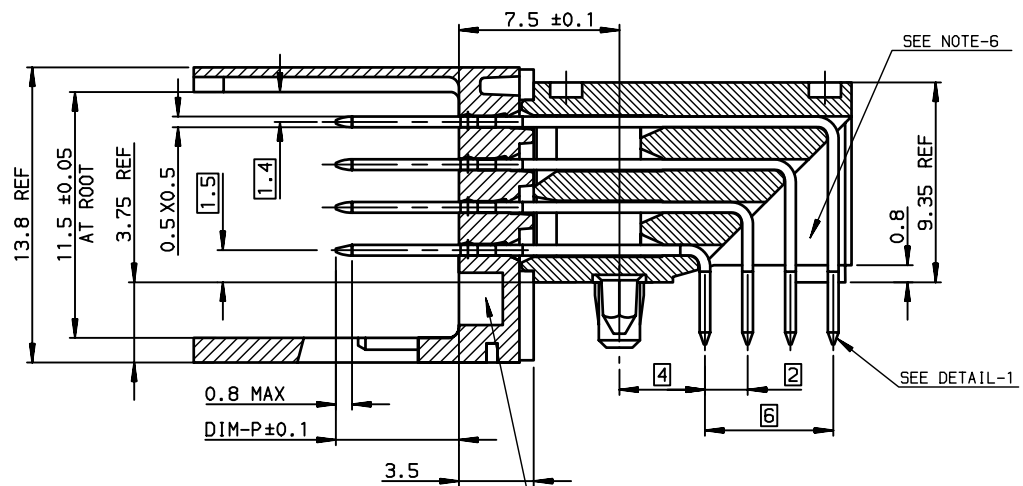


NOTE-1: GENERAL CHARACTERISTICS ACCORDING TO GS-12-446  
 NOTE-2: ONE CENTER PEG FOR HOLD DOWN FORCE  
 NOTE-3: CODING RECESS FOR 8MM EXTENDED KEYS  
 NOTE-4: PRODUCT MARKING = PRODUCT NUMBER + FCI+DATE CODE  
 NOTE-5: PLATING ON MATING PART : SEE PROD SPEC: GS-12-446  
 NOTE-6: CENTRAL WALL WITH END REAR SUPPORT  
 NOTE-7: STANDARD PACKAGING IS TUBE ,BUT IF SUFFIX "P" IS ADDED IN P/N,PACKAGING IS IN TRAYS,MARKING IS WITHOUT "P"  
 Example:70448-1xxPLF ,marking 70448-1xxLF

SECTION-A SCALE 4/1



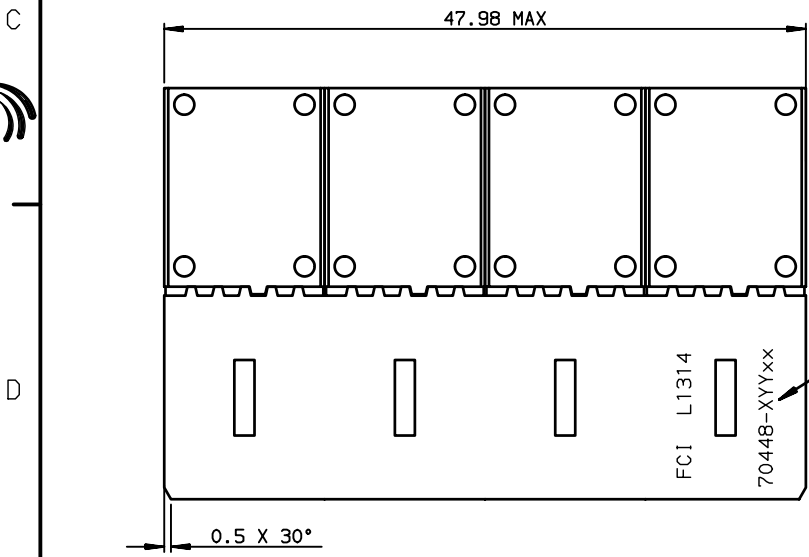
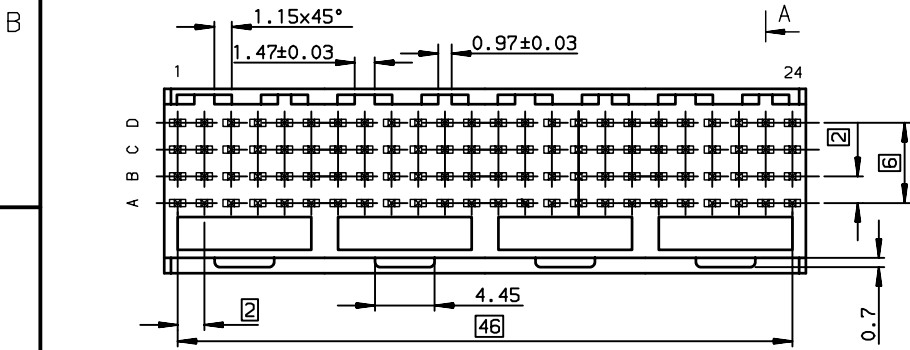
**GENERAL CHARACTERISTICS AND ROHS INFORMATIONS**  
 See **PRODUCT SPECIFICATION , GS-12-446**

OTHERS INFORMATIONS,SEE DRW 70448-2/-3/-4/-5  
 P/N : see sheet 2

European Views

www.fciconnect.com		surface ISO 1302 ✓	tolerance std ISO 406 ISO 1101	projection mm	size A3	Scale 2.5:1
		TOLERANCES UNLESS OTHERWISE SPECIFIED		0.X ± 0.1		
Dr	CHAMPION	1995/06/06	0.XX ± 0.1			
Eng	LENOIR	1995/06/06	0.XXX ± 0.1			
Chr	LEGARE	1995/06/06	0.XX' ± 2'			
Appr	LEGARE	1995/06/06	Product family	METRAL	Spec ref	-
FCI title		METRAL RA HDR STB CONVERG		dwg no		70448-1
catalog no		NB 4x24 -4MODULES -SPECIAL LOADING		CUSTOMER		sheet 1 of 5
				Rev.		J

rev	ecn no	dr	date
F	-	PCH	2003/07/03
G	LS06-0089	LGO	2006/06/06
H	LS06-0114	LGO	2006/09/11
J	LS07-0134	MLE	2007/05/14
-	-	-	-
-	-	-	-



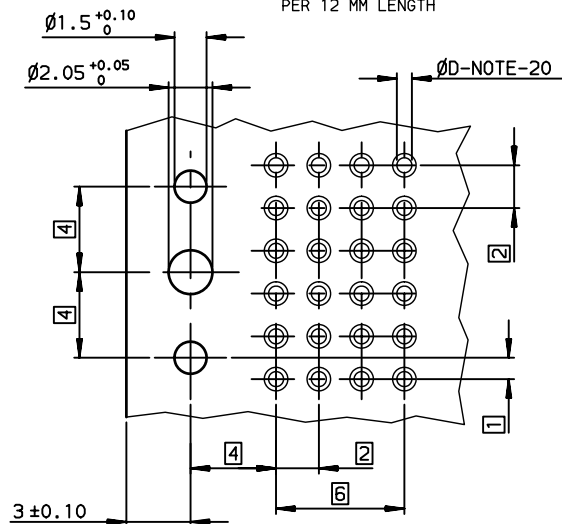
SEE NOTE-4



Copyright FCI.

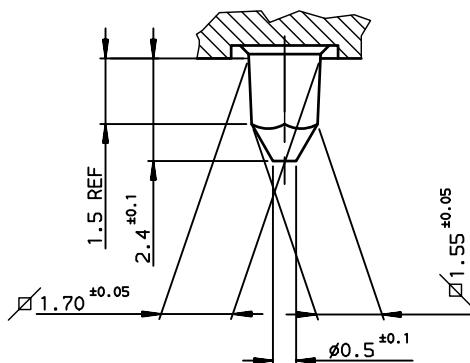
RECOMMENDED PCB LAYOUT

PER 12 MM LENGTH

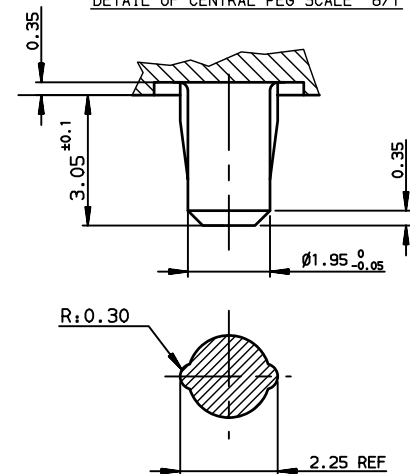


NOTE-20: PTH DIMENSIONS - ØD  
 - DRILL DIAMETER = 0.85 REF  
 - SEE DRAWING C-8626-0005

DETAIL OF LOCATING PEGS (2x) SCALE 8/1

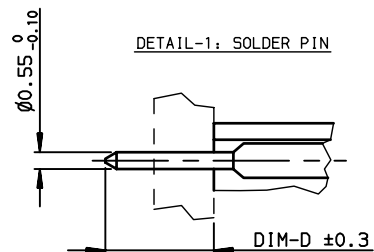


DETAIL OF CENTRAL PEG SCALE 8/1



GENERAL CHARACTERISTICS AND ROHS INFORMATIONS  
 See PRODUCT SPECIFICATION : GS-12-446

PART NUMBER	PERFORMANCE LEVEL
70448-1YY(LF)	STANDARD P/N, See Prod. Spec GS-12-446
70448-3YY(LF)	CUSTOMER SPECIAL , Specific Plating
70448-xYY(LF)	



OTHERS INFORMATIONS, SEE DRW 70448-1/-3/-4/-5

European Views

rev	ecn no	dr	date
F	-	PCH	2003/07/03
G	LS06-0089	LGO	2006/06/06
H	LS06-0114	LGO	2006/09/11
J	LS07-0134	MLE	2007/05/14
-	-	-	-
-	-	-	-

www.fciconnect.com		surface ISO 1302 ✓	tolerance std ISO 406 ISO 1101	projection mm
TOLERANCES UNLESS OTHERWISE SPECIFIED				
Dr	CHAMPION	1995/06/06	0.X ±0.1	size A3
Eng	LENOIR	1995/06/06	0.XX ±0.1	Scale 4:1
Chr	LEGARE	1995/06/06	0.XX' ±2'	ECN LS07-0134
Appr	LEGARE	1995/06/06	0.XXX ±0.1	Spec ref -
Product family		METRAL		
title		METRAL RA HDR STB CONVERT		
catalog no		NB 4x24 -4MODULES -SPECIAL LOADING		
dwg no		70448-2		
Rev.		J		
CUSTOMER		sheet 2 of 5		



Copyright FCI.

STANDARD P/N: 70448-X01				LEAD-FREE P/N: 70448-X01LF				CTS LOADING PATTERN																
DIM-P	1	2	3	4	5	6	7	8	9	10	11	12	13	14	15	16	17	18	19	20	21	22	23	24
ROW-D	5.75	5.75	5.75	5.75	5.75	5.75	5.75	5.75	5.75	5.75	5.75	5.75	5.75	5.75	5.75	5.75	5.75	5.75	5.75	5.75	5.75	5.75	5.75	5.75
ROW-C	5.75	5.75	5.75	5.75	5.75	5.75	5.75	5.75	5.75	5.75	5.75	5.75	5.75	5.75	5.75	5.75	5.75	5.75	5.75	5.75	5.75	5.75	5.75	5.75
ROW-B	5.75	5.75	5.75	5.75	5.75	5.75	5.75	5.75	5.75	5.75	5.75	5.75	5.75	5.75	5.75	5.75	5.75	5.75	5.75	5.75	5.75	5.75	5.75	5.75
ROW-A	5.00	6.50	6.50	6.50	6.50	6.50	6.50	6.50	5.75	5.75	5.75	5.75	5.75	5.75	5.75	5.75	6.50	6.50	6.50	6.50	6.50	6.50	5.00	
DIM-D =2.9±0.3		NUMBER OF CTS = 96																						

STANDARD P/N: 70448-X02				LEAD-FREE P/N: 70448-X02LF				CTS LOADING PATTERN																
DIM-P	1	2	3	4	5	6	7	8	9	10	11	12	13	14	15	16	17	18	19	20	21	22	23	24
ROW-D	5.75	5.75	5.75	5.75	5.75	5.75	5.75	5.75	5.75	5.75	5.75	5.75	5.75	5.75	5.75	5.75	5.75	5.75	5.75	5.75	5.75	5.75	5.75	5.75
ROW-C	5.75	5.75	5.75	5.75	5.75	5.75	5.75	5.75	5.75	5.75	5.75	5.75	5.75	5.75	5.75	5.75	5.75	5.75	5.75	5.75	5.75	5.75	5.75	5.75
ROW-B	5.75	5.75	5.75	5.75	5.75	5.75	5.75	5.75	5.75	5.75	5.75	5.75	5.75	5.75	5.75	5.75	5.75	5.75	5.75	5.75	5.75	5.75	5.75	5.75
ROW-A	5.00	6.50	6.50	6.50	6.50	6.50	6.50	6.50	5.75	5.75	5.75	5.75	5.75	5.75	5.75	5.75	6.50	6.50	6.50	6.50	6.50	6.50	5.00	
DIM-D =3.7±0.3		NUMBER OF CTS = 96																						

STANDARD P/N: 70448-X03				LEAD-FREE P/N: 70448-X03LF				CTS LOADING PATTERN																
DIM-P	1	2	3	4	5	6	7	8	9	10	11	12	13	14	15	16	17	18	19	20	21	22	23	24
ROW-D		5.00				5.00		5.00				5.00		5.00	5.00	5.00		5.00		5.00		5.00	5.00	
ROW-C	5.00				5.00				5.00		5.00		5.00		5.00		5.00		5.00		5.00		5.00	
ROW-B		5.00				5.00		5.00				5.00		5.00	5.00	5.00		5.00		5.00		5.00		5.00
ROW-A	5.00		5.00		5.00				5.00		5.00		5.00		5.00		5.00		5.00		5.00		5.00	
DIM-D =2.9±0.3		NUMBER OF CTS = 43																						

( ALSO REPLACE B-STYLE P/N: 89034-X01)

OTHERS INFORMATIONS,SEE DRW 70448-1/-2/-4/-5

European Views

www.fciconnect.com			surface ISO 1302 <input checked="" type="checkbox"/>	tolerance std ISO 406 ISO 1101	projection 	mm 
TOLERANCES UNLESS OTHERWISE SPECIFIED						
Dr	CHAMPION	1995/06/06	ANGULAR	LINEAR	0.X	±0.1
Eng	CHAMPION	1995/06/06			0.XX	±0.1
Chr	LEGARE	1995/06/06	0.XX	±2*	0.XXX	±0.1
Appr	LEGARE	1995/06/06	Product family		METRAL	Spec ref -
			title METRAL RA HDR STB CONVER			dwg no 70448-3
			NB 4x24 -4MODULES -SPECIAL LOADING			
catalog no			-			Rev. J
CUSTOMER			sheet 3 of 5			

rev	ecn no	dr	date
E	-	PCH	2003/02/18
G	LS06-0089	LGO	2006/06/06
H	LS06-0114	LGO	2006/09/11
J	LS07-0134	MLE	2007/05/14
-	-	-	-
-	-	-	-
-	-	-	-



Copyright FCI.

STANDARD P/N: 70448-X04		LEAD-FREE P/N: 70448-X04LF				CTS LOADING PATTERN																			
DIM-P	1	2	3	4	5	6	7	8	9	10	11	12	13	14	15	16	17	18	19	20	21	22	23	24	
ROW-D		5.00		5.00		5.00		5.00				5.00		5.00	5.00	5.00		5.00		5.00		5.00		5.00	
ROW-C	5.00			5.00	5.00				5.00		5.00		5.00		5.00		5.00		5.00		5.00		5.00		
ROW-B		5.00				5.00		5.00				5.00		5.00	5.00	5.00		5.00		5.00		5.00		5.00	
ROW-A	5.00		5.00		5.00				5.00		5.00		5.00		5.00		5.00		5.00		5.00		5.00		
DIM-D =2.9±0.3		NUMBER OF CTS = 45																							

STANDARD P/N: 70448-X05		LEAD-FREE P/N: 70448-X05LF				CTS LOADING PATTERN																			
DIM-P	1	2	3	4	5	6	7	8	9	10	11	12	13	14	15	16	17	18	19	20	21	22	23	24	
ROW-D	5.75	5.75	5.75	5.75	5.75	5.75	5.75	5.75	5.75	5.75	5.75	5.75	5.75	5.75	5.75	5.75	5.75	5.75	5.75	5.75	5.75	5.75	5.75	5.75	
ROW-C	5.75	5.75	5.75	5.75	5.75	5.75	5.75	5.75	5.75	5.75	5.00	5.75	5.75	5.75	5.75	5.75	5.75	5.75	5.75	5.75	6.50	6.50	5.75	5.75	
ROW-B	5.75	6.50	5.75	5.75	5.75	5.75	5.75	5.75	5.75	5.75	5.75	5.75	5.75	5.75	5.75	5.75	5.75	5.75	6.50	5.75	6.50	5.75	5.75	5.75	
ROW-A	6.50	5.75	5.75	5.75	5.75	5.75	5.75	5.75	5.75	5.75	5.75	5.75	5.75	5.75	5.75	5.75	5.75	5.75	5.75	6.50	5.75	6.50	5.75	5.75	
DIM-D =2.9±0.3		NUMBER OF CTS = 96																							

( REPLACE B-STYLE P/N: 89034-X02)

STANDARD P/N: 70448-X06		LEAD-FREE P/N: 70448-X06LF				CTS LOADING PATTERN																			
DIM-P	1	2	3	4	5	6	7	8	9	10	11	12	13	14	15	16	17	18	19	20	21	22	23	24	
ROW-D	5.00	5.00	5.00	5.00	5.00	5.00	5.00	5.00	5.00	5.00	5.00	5.00	5.00	5.00	5.00	5.00	5.00	5.00	5.00	5.00	5.00	5.00	5.00	5.00	
ROW-C	6.50	5.00	5.00	5.00	5.00	5.00	5.00	5.00	5.00	5.00	5.00	5.00	5.00	5.00	5.00	5.00	5.00	5.00	5.00	5.00	5.00	5.00	5.00	6.50	
ROW-B	6.50	5.00	5.00	5.00	5.00	5.00	5.00	5.00	5.00	5.00	5.00	5.00	5.00	5.00	5.00	5.00	5.00	5.00	5.00	5.00	5.00	5.00	5.00	6.50	
ROW-A	6.50	5.00	5.00	5.00	5.00	5.00	5.00	5.00	5.00	5.00	5.00	5.00	5.00	5.00	5.00	5.00	5.00	5.00	5.00	5.00	5.00	5.00	5.00	6.50	
DIM-D =2.9±0.3		NUMBER OF CTS = 96																							

( REPLACE B-STYLE P/N: 89034-X03)

OTHERS INFORMATIONS,SEE DRW 70448-1/-2/-3/-5

European Views

www.fciconnect.com		surface ISO 1302	<input checked="" type="checkbox"/>	tolerance std ISO 406 ISO 1101	projection 	mm
TOLERANCES UNLESS OTHERWISE SPECIFIED						
Dr	CHAMPION	1995/06/06	ANGULAR	0.X	±0.1	size
Eng	LENOIR	1995/06/06	LINEAR	0.XX	±0.1	A3
Chr	LEGARE	1995/06/06	0.XX' ±2'	0.XXX	±0.1	Scale 4:1
Appr	LEGARE	1995/06/06	Product family	METRAL		ECN LS07-0134
					Spec ref	-
		title METRAL RA HDR STB CONVERG			dwg no 70448-4	
		NB 4x24 -4MODULES -SPECIAL LOADING			Rev. J	
catalog no					CUSTOMER sheet 4 of 5	

rev	ecn no	dr	date
E	-	PCH	2003/02/18
G	LS06-0089	LGO	2006/06/06
H	LS06-0114	LGO	2006/09/11
J	LS07-0134	MLE	2007/05/14
-	-	-	-
-	-	-	-
-	-	-	-

Copyright FCI.

STANDARD P/N: 70448-X07				LEAD-FREE P/N: 70448-X07LF				CTS LOADING PATTERN																
DIM-P	1	2	3	4	5	6	7	8	9	10	11	12	13	14	15	16	17	18	19	20	21	22	23	24
ROW-D																								
ROW-C	5.00	5.00	5.00	5.00	5.00	5.00	5.00	5.00	5.00	5.00	5.00	5.00	5.00	5.00	5.00	5.00	5.00	5.00	5.00	5.00	5.00	5.00	5.00	5.00
ROW-B	5.00	5.00	5.00	5.00	5.00	5.00	5.00	5.00	5.00	5.00	5.00	5.00	5.00	5.00	5.00	5.00	5.00	5.00	5.00	5.00	5.00	5.00	5.00	5.00
ROW-A	5.00	5.00	5.00	5.00	5.00	5.00	5.00	5.00	5.00	5.00	5.00	5.00	5.00	5.00	5.00	5.00	5.00	5.00	5.00	5.00	5.00	5.00	5.00	5.00
DIM-D =2.9±0.3			NUMBER OF CTS = 72																					

( REPLACE B-STYLE P/N: 89034-X04)

STANDARD P/N: 70448-X08				LEAD-FREE P/N: 70448-X08LF				CTS LOADING PATTERN																
DIM-P	1	2	3	4	5	6	7	8	9	10	11	12	13	14	15	16	17	18	19	20	21	22	23	24
ROW-D																								
ROW-C	5.00		5.00		5.00		5.00		5.00		5.00		5.00		5.00		5.00		5.00		5.00		5.00	
ROW-B	5.00		5.00		5.00		5.00		5.00		5.00		5.00		5.00		5.00		5.00		5.00		5.00	
ROW-A	5.00		5.00		5.00		5.00		5.00		5.00		5.00		5.00		5.00		5.00		5.00		5.00	
DIM-D =2.9±0.3			NUMBER OF CTS = 36																					

( REPLACE B-STYLE P/N: 89034-X05)

STANDARD P/N: 70448-X09				LEAD-FREE P/N: 70448-X09LF				CTS LOADING PATTERN																
DIM-P	1	2	3	4	5	6	7	8	9	10	11	12	13	14	15	16	17	18	19	20	21	22	23	24
ROW-D	5.75	5.75	5.75	5.75	5.75	5.75	5.75	5.75	5.75	5.75	5.75	5.75	5.75	5.75	5.75	5.75	5.75	5.75	5.75	5.75	5.75	5.75	5.75	5.75
ROW-C	5.75	5.75	5.00	5.75	5.75	5.75	5.75	5.75	5.75	5.75	5.75	5.75	5.75	5.75	5.75	5.75	5.75	5.75	5.75	5.75	5.75	5.75	5.75	5.00
ROW-B	5.75	5.75	5.75	5.75	5.75	5.75	5.75	5.75	5.75	5.75	5.75	5.75	5.75	5.75	5.75	5.75	5.75	5.75	5.75	5.75	5.75	5.75	5.75	5.75
ROW-A	6.50	6.50	6.50	6.50	6.50	6.50	5.75	5.75	5.75	5.75	5.75	5.75	5.75	5.75	5.75	5.75	5.75	5.75	6.50	6.50	6.50	6.50	6.50	6.50
DIM-D =2.9±0.3			NUMBER OF CTS = 96																					

( REPLACE B-STYLE P/N: 89034-X09)

OTHERS INFORMATIONS, SEE DRW 70448-1/-2/-3/-4

European Views

www.fciconnect.com		surface ISO 1302	<input checked="" type="checkbox"/>	tolerance std ISO 406 ISO 1101	projection 	mm 
TOLERANCES UNLESS OTHERWISE SPECIFIED						
Dr	CHAMPION	1995/06/06	ANGULAR	0.X	±0.1	size A3
Eng	LENOIR	1995/06/06	LINEAR	0.XX	±0.1	Scale 4:1
Chr	LEGARE	1995/06/06	0.XX' ±2'	0.XXX	±0.1	ECN LS07-0134
Appr	LEGARE	1995/06/06	Product family	METRAL		Spec ref -
		METRAL RA HDR STB CONVERG			dwg no 70448-5	
		NB 4x24 -4MODULES -SPECIAL LOADING			Rev. J	
catalog no					CUSTOMER sheet 5 of 5	

rev	ecn no	dr	date
E	-	PCH	2003/02/18
G	LS06-0089	LGO	2006/06/06
H	LS06-0114	LGO	2006/09/11
J	LS07-0134	MLE	2007/05/14
-	-	-	-
-	-	-	-
-	-	-	-



Copyright FCJ.